

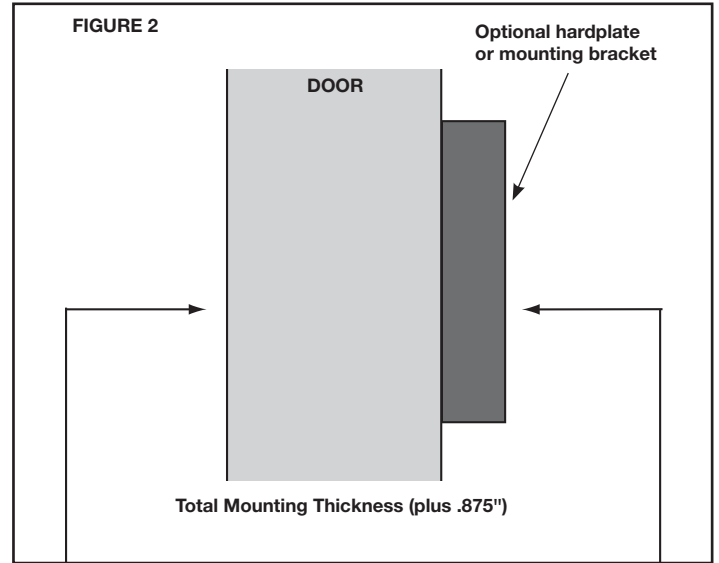
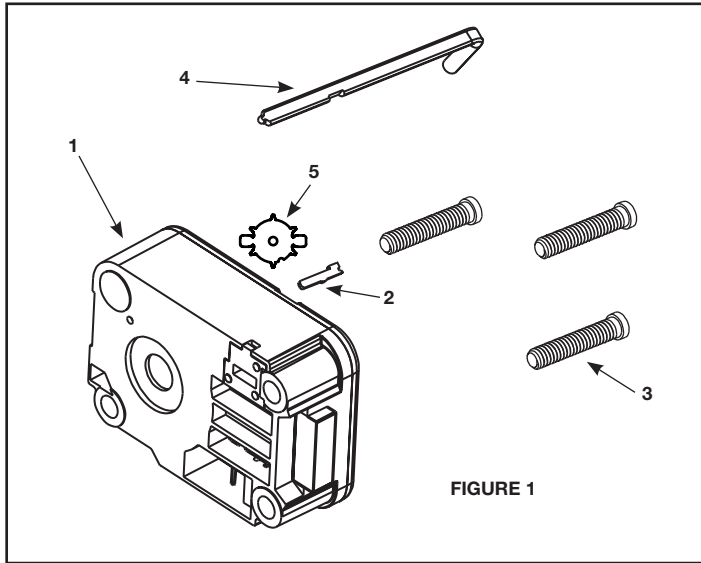
## 3370 GROUP 2M LOCK

### INSTALLATION INSTRUCTIONS

Read guide completely before beginning installation.

#### Safeguards for Mounting

1. Complete all welds to the safe prior to installation of the lock.
2. Keep metal dust, filings, etc. away from the lock.
3. Never oil, grease, lubricate or paint the lock.



1. Group 2M Mechanical Lock (P/N 3370)

Hardware Pack (P/N 3327) Includes

2. Spline Key (P/N 1712)
3. Mounting Screws (P/N 2930 - Qty. 3)
4. Change Key (P/N 1307)
5. Insert Cover (P/N 705003)

#### Mounting Instructions

1. Measure mounting thickness (door thickness + mounting surface), see **Figure 2**.
2. Mount the dial ring centered on the spindle hole.
3. Using the mounting screws provided in the hardware pack, mount the lock to door. A torque setting of 30 inch/pounds (3.4 newton/meters) is recommended when installing the lock. Make sure that the spindle hole on the lock is properly aligned with the spindle hole of the safe door.

**NOTE:** The lock bolt **MUST** remain in the retracted position throughout the installation procedure. To ensure this keep one finger over the bolt while mounting the lock and installing the spindle. If the bolt extends at any point during the installation procedure, please follow the *Retracting the Lock Bolt* instructions on page two.

4. Cut and deburr the spindle. To cut the correct spindle length add .875" (7/8", 22.225mm) to the mounting thickness, see **Figure 2**.
5. Insert the spindle through the spindle hole of the door. With the bolt retracted, carefully thread (clockwise) the spindle into the drive cam until tight. Next, rotate (counterclockwise) at least 1/2 turn until the groove in the spindle is aligned with the correct spline position. (Refer to the Spline Key Position Chart - see **Figure 3**.)
6. Insert the spline key fully by tapping into place with a screwdriver using insertion notch, see **Figure 5**.
7. Install Cover Insert (P/N 705003). Align the notch of insert with the mark on the back cover, see **Figure 4**. Press the insert into the cover using even pressure. The insert is designed to prevent spline key movement. Once installed do not attempt to remove the insert. Remove the back cover to service the lock; this will not void the factory warranty.
8. LA GARD locks are set to open with a default combination set to 50. (This may vary slightly by one or two numbers either up or down due to variations in alignment of dial ring during installation.) To test your lock follow the opening instructions using the default combination.

### SPLINE KEY POSITION CHART

The lock may be mounted in four positions - align the spindle groove with the corresponding cam position. The positions are marked as follows:

#### **RH** (*right hand*)

Lock bolt points right as you face the back of the door.

#### **LH** (*left hand*)

Lock bolt points left as you face the back to the door.

#### **VU** (*vertical up*)

Lock bolt points upward.

#### **VD** (*vertical down*)

Lock bolt points downward.

### RETRACTING THE LOCK BOLT

The 3370 Group 2M Mechanical lock is shipped with the bolt in the retracted position. The bolt must remain in the retracted position during the entire installation process. If the bolt becomes extended during the installation process, it must be retracted before splining the lock.

To retract the bolt:

1. The cam must be rotated 4 turns to the right (clockwise) when looking at the back cover of the lock. Use a small flat object, such as a screwdriver to catch the notches for the spline key in order to rotate the cam.
2. You will need to align the mark on the drive cam to the one on the back cover. **See Figure 3**.
3. Rotate the cam to the left (counterclockwise) until the bolt is retracted (approximately 1/2 turn).
4. Holding the bolt in the retracted position, the spindle can now be threaded into the cam without the cam rotating. Insert the spline key using the spline key position chart.

### DESIGN PARAMETERS FOR 3370 SERIES LOCKS

1. Bolt dimensions (nominal): .312 inches x 1.000 inches/8 x 25.4mm
2. Bolt dimensions (nominal): .355 inches/9.0mm
3. Bolt extension: .485 inches/12.3m
4. Maximum load movable by the bolt: 5 lbs. (22N)  
**Note:** 3370 dead bolt lock may not open if more than 5 lbs. (22N) of force is applied to the end of side of the bolt.
5. Maximum load against bolt when thrown (all directions): 224.8 lbs. (1kN)
6. The lock can be fitted to safes or vault doors of any material.

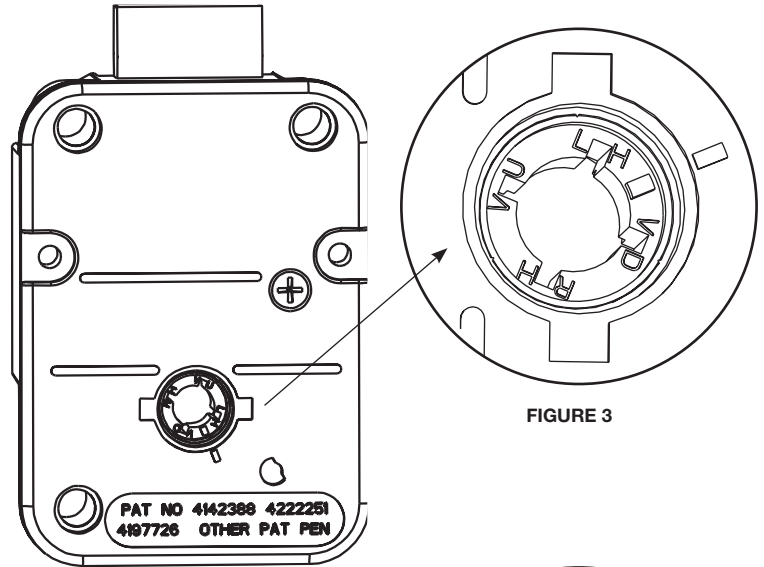


FIGURE 3

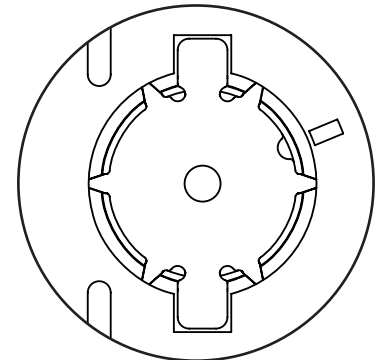


FIGURE 4

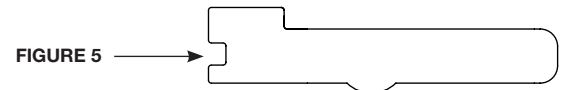


FIGURE 5