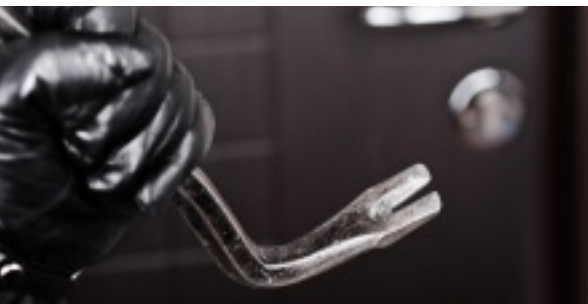




BURGLARY RESISTANT
DRUG CABINET FOR
HOSPITALS, DOCTOR'S
SURGERIES AND
PHARMACIES



DRUG CABINET

STORAGE FOR PRESCRIPTION DRUGS

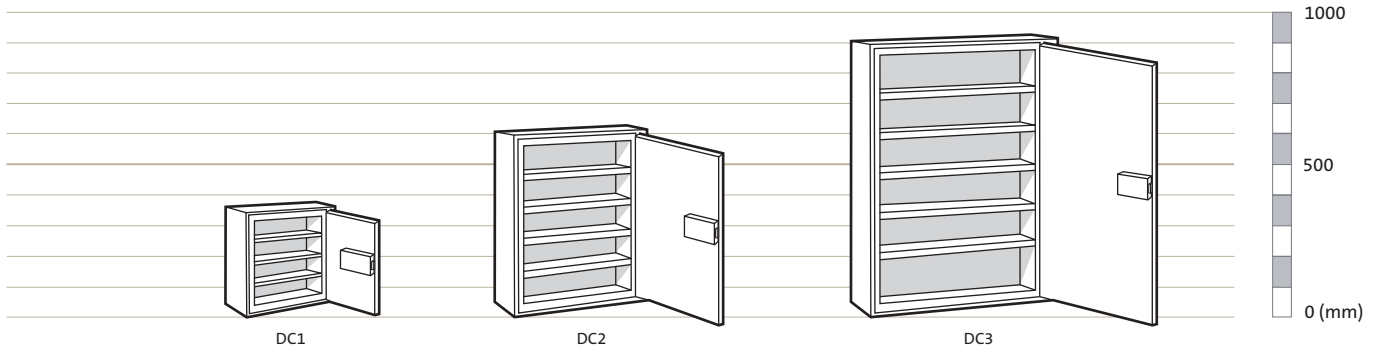


KEY FEATURES

- Suitable for storage of prescription drugs
- Ideal for hospitals, doctor's surgeries, pharmacies or any other situation where securing stock is required
- Supplied with key lock
- Constructed from 10mm solid steel
- Each model is supplied with shelves
- Available in 3 sizes
- Welded strap on lock body
- Boltwork encased when retracted
- Complies with all state codes.

DRUG CABINET

PRODUCT SPECIFICATIONS



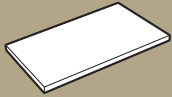
Model	Ext. Height (mm)	Ext. Width (mm)	External Depth (mm)	Int. Height (mm)	Int. Width (mm)	Int. Depth (mm)	Volume (litres)	Weight (kg)
DC1	350	240	150	330	220	130	10	27
DC2	600	450	150	580	430	130	32	66
DC3	900	600	300	880	580	260	132	160

* In electronic models, add 20mm to allow for keypad projection.

CONSTRUCTION

DOOR & BODY

The Drug Cabinet is made from 10mm thick steel.

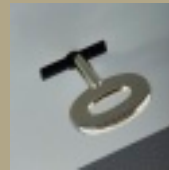


INTERIOR FITTINGS

SHELF

The DC1 Model comes with 3 internal shelves
 The DC2 Model comes with 4 internal shelves
 The DC3 Model comes with 5 internal shelves

LOCKS



KEY LOCK

The Drug Cabinet is supplied with a key lock opened by turning the key. The double-bitted key lock used is supplied with two identical keys.



AUS SAFES
 QUALITY GUARANTEED

1800 15 16 15
www.aussafes.com.au

The data given in this material may be subject to change without further notice. This document is not contractually binding. The 'Chubb' brand is owned by Chubb plc and is a registered trademark used under license. See www.chubbsafes.com for more information.